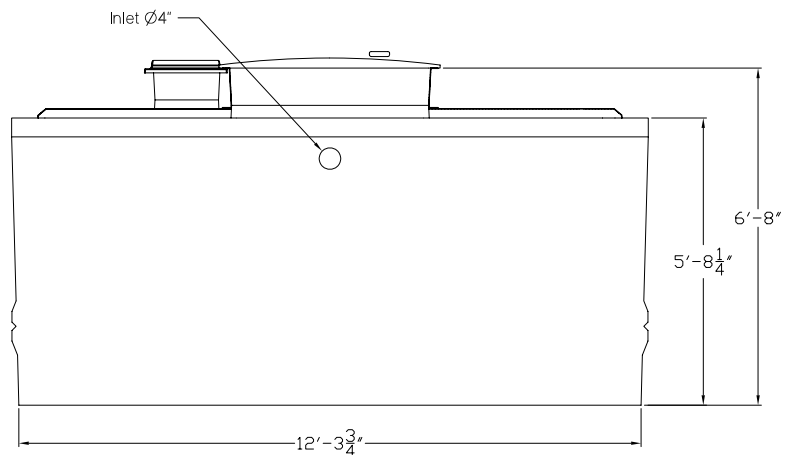
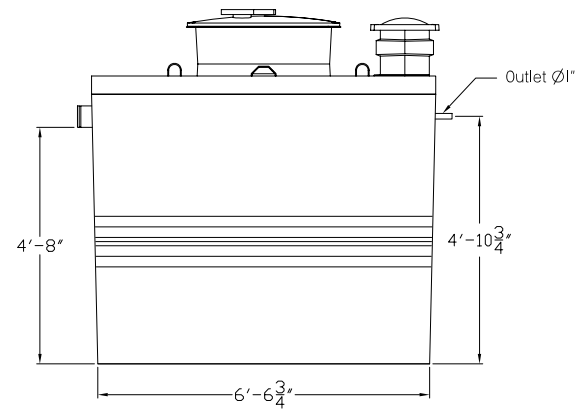


TOP VIEW




FRONT VIEW



SIDE VIEW

REVISION NO:	PAR	DATE
--------------	-----	------

	RIVIERE-DU-LOUP, QUEBEC) TEL: (418) 867-8883, FAX: (418) 862-6642		<b>STB-650BR ECOFLO CONCRETE TANK (Middle height)</b>
	DRAWN BY:	S.BRISSON 10/2007	
	CONCEIVED BY:		
	APPROVED BY:		
<b>TOLERANCE SPECIFIED</b>		SCALE : 1 = 50	DRAWING no.:
DECIMAL	± 0.06"	MEASURE UNIT: INCHES	STB-650BR-H2
FRACT.	± 1/16"		SHEET no.
ANGLE	± 1.0		1/1