

**Owner's responsibilities  
regarding the warranty**

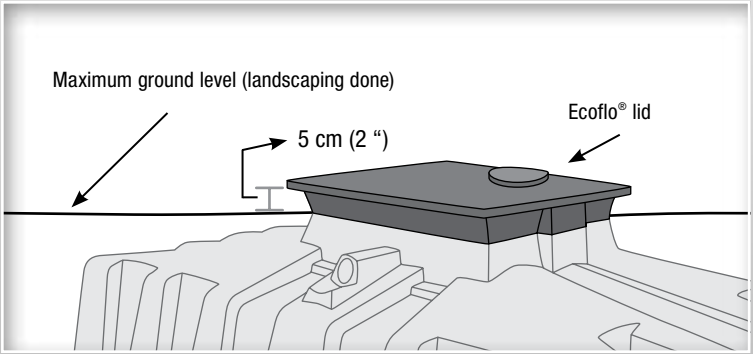
**Ecoflo<sup>®</sup>**



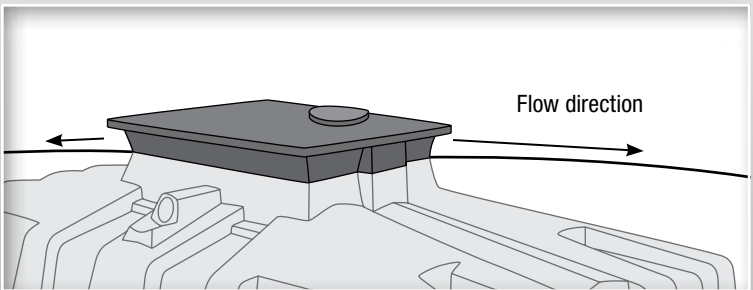
**P** **PREMIER TECH**  
AQUA

# The lid

Make sure that the Ecoflo® lid is at least **5 cm (2")** above **ground level** (grass included). This measure will help prevent water infiltration and make system maintenance easier.

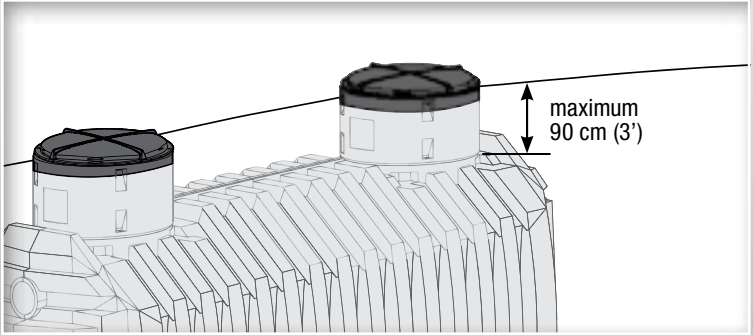


Make sure that the soil surrounding the lid **allows surface run off** to easily flow away from the lid.

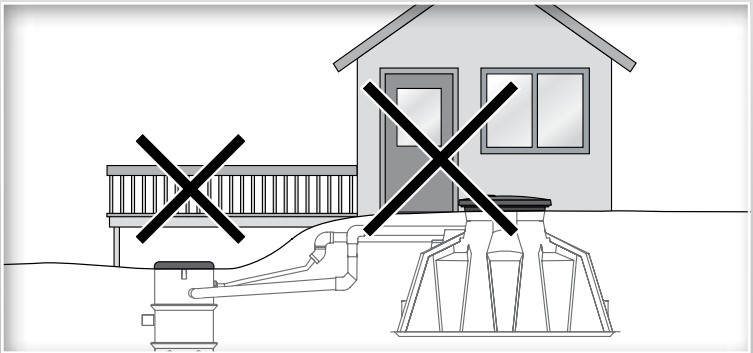


# The lid

The backfill on top of your septic tank should not exceed 90 cm (3').

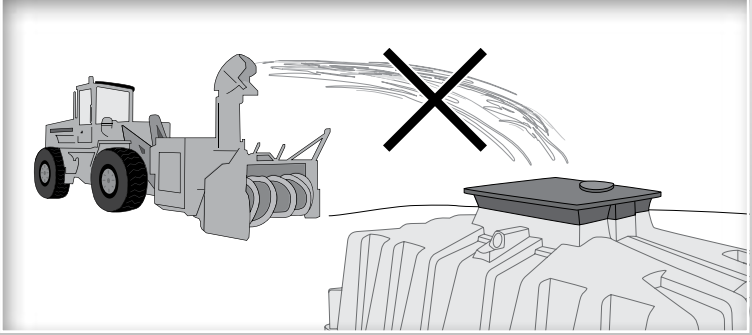


Keep all lids of the septic system accessible at all times. Avoid covering them with mulch, dirt or any structure (such as a garden shed, play structure, or deck).



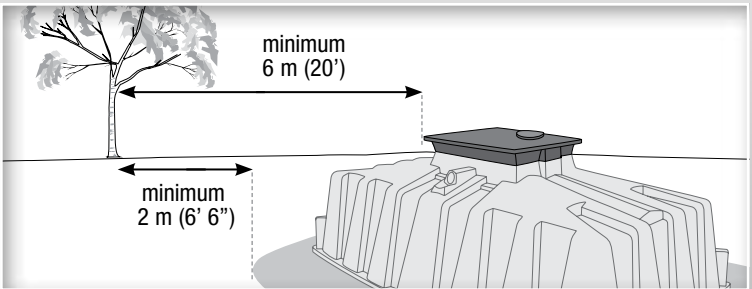
## The lid

Do not blow or shovel snow on your septic system.



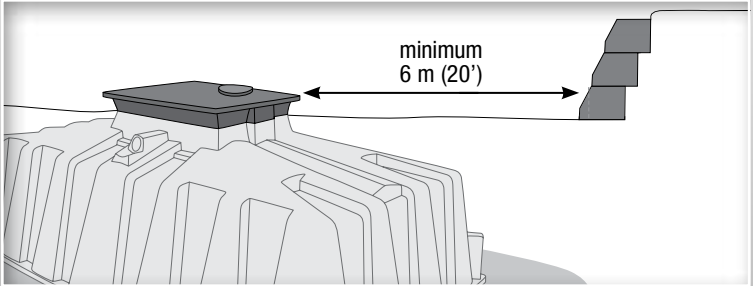
## Trees and shrubs

Maintain your trees at a **distance of at least 2 m (6' 6")** from the absorption **bed** (cleaned crushed stone zone) and **6 m (20')** from the lid of the Ecoflo®.

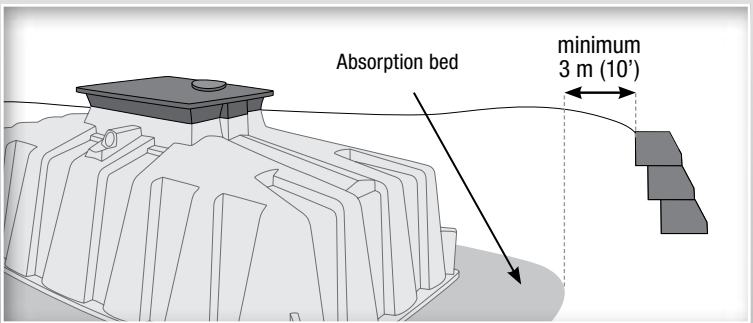


## Embankment (supporting wall)

A minimum distance of 6 m (20') is required between the lid of the Ecoflo® and the embankment (or supporting wall). The Ecoflo® should never be used as a supporting wall.

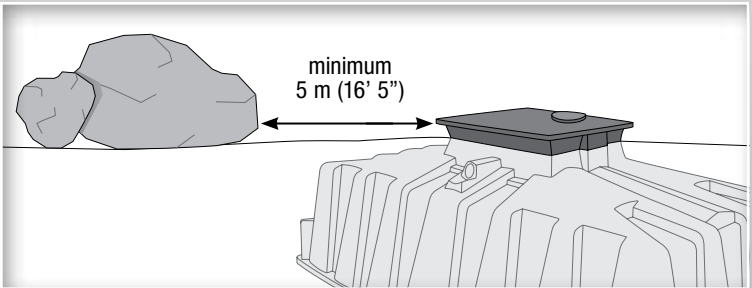
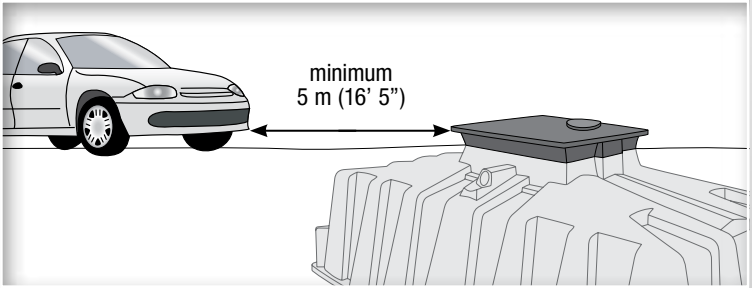


Maintain a distance of 3 m (10') between the top of the embankment and the absorption bed (cleaned crushed stone zone) to avoid resurgence.



# Overload

It is important not to drive vehicles or place objects that weigh more than 225 kg (500 lb) **within 5 m (16' 5") of the lid.**



☎ **1 800 632-6356**  
📠 418 862-6642  
✉ [pta@premiertech.com](mailto:pta@premiertech.com)  
[PREMIERTECHAQUA.COM](http://PREMIERTECHAQUA.COM)